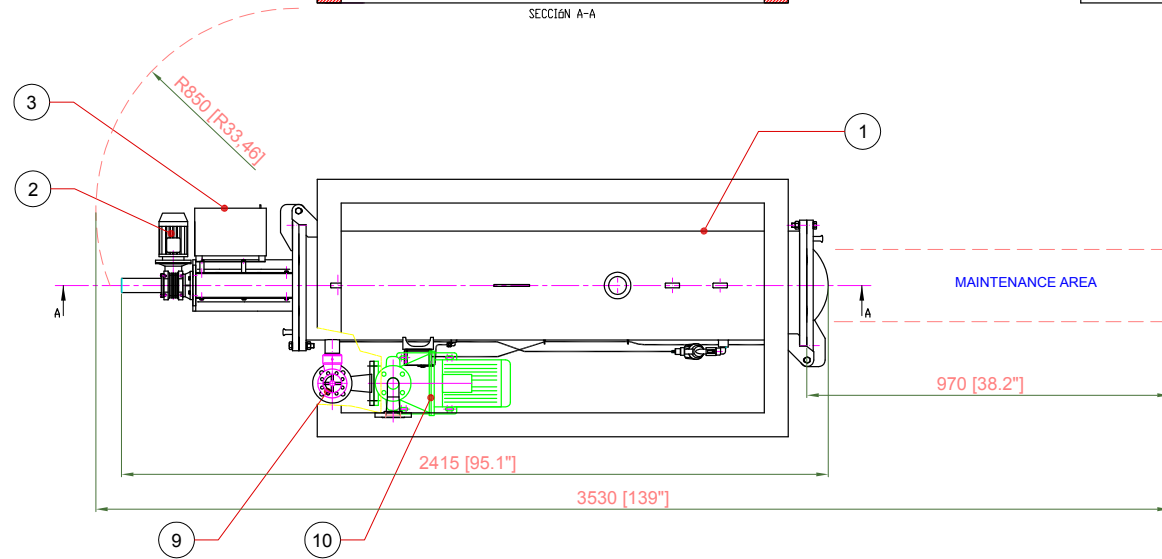
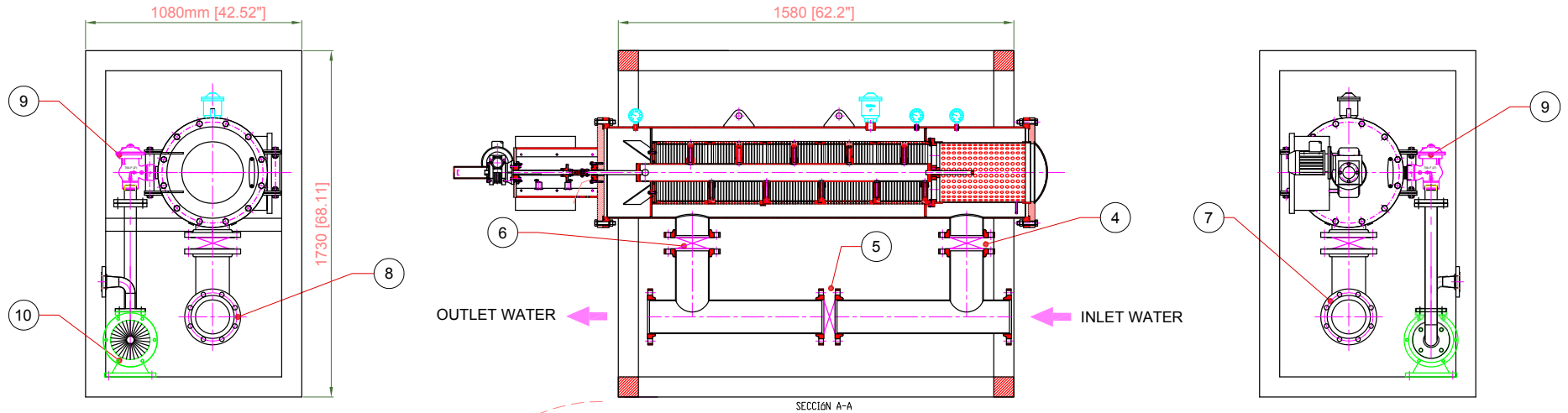


OMICRON 8000(H) with flush line pump



NO.	ITEM
1	SCREEN FILTER OMICRON 8000-20(H)
2	ELECTRIC MOTOR
3	CONTROL PANEL
4	MANUAL BUTTERFLY VALVE 6"
5	MOTORIZED VALVE 6" - BY-PASS
6	MANUAL BUTTERFLY VALVE 6"
7	RAW WATER INLET 6"
8	FILTERED WATER OUTLET 6"
9	BACKWASH VALVE 2"
10	SUCTION PUMP FOR BACKWASH



*** OMICRON 8000(H) WITH MANIFOLD				1	***	***
ITEM	DESIGNATION			QUANTITY	MATERIAL	OBSERVATIONS
1	Modification	Date	Name	Sign.	CLIENT OMICRON WATER TECHNOLOGIES	Scale 1:20
2	---	--	---	---	REFERENCE ***	Format A3
3					DESCRIPTION OMICRON 8000(H)	Date 13/05/16
4					Work Order	Name M.A.C.
5					Nº Drawing	Signed
6					Projection 	Reviewed Approved



Polig. Industrial Armenteros
MONZÓN (Huesca)