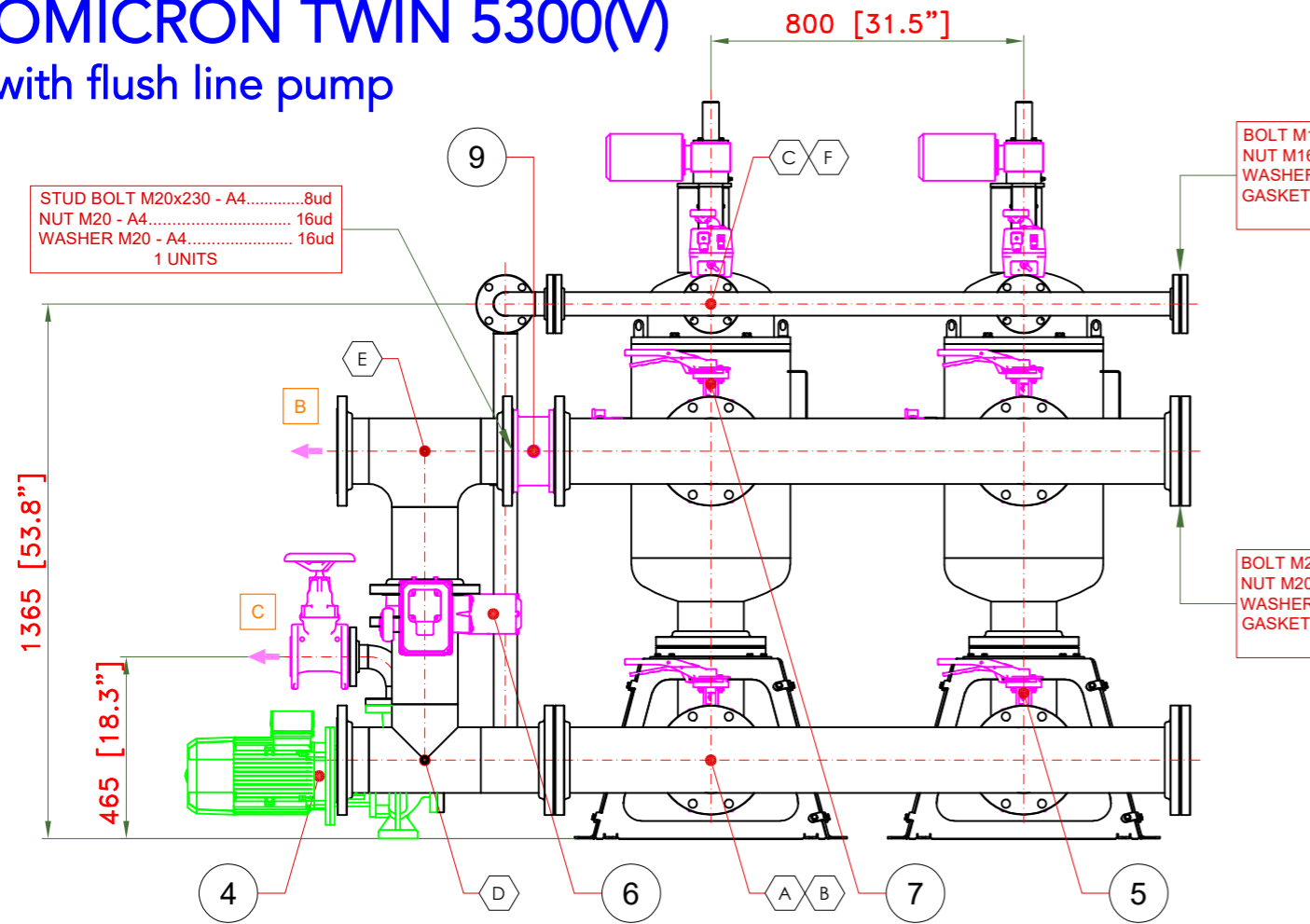


OMICRON TWIN 5300(V) with flush line pump

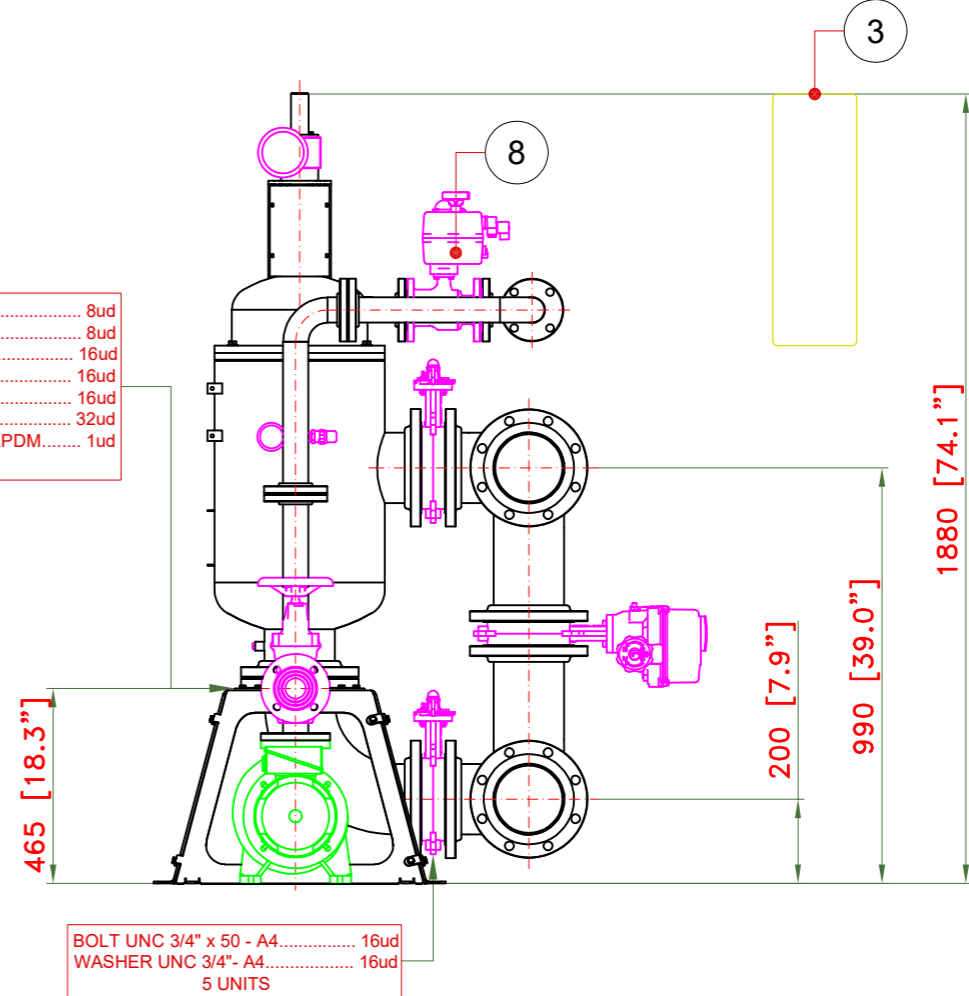


STUD BOLT M20x230 - A4.....8ud
NUT M20 - A4.....16ud
WASHER M20 - A4.....16ud
1 UNITS

BOLT M16x80 - A4.....4ud
NUT M16 - A4.....4ud
WASHER M16 - A4.....8ud
GASKET ANSI 2" 150 # EPDM.....1ud
6 UNITS

BOLT M20x90 - A4.....8ud
NUT M20 - A4.....8ud
WASHER M20 - A4.....16ud
BOLT M8x30 - A4.....16ud
NUT M8 - A4.....16ud
WASHER M8 - A4.....32ud
GASKET ANSI 6" 150 # EPDM.....1ud
2 UNITS

BOLT M20x90 - A4.....8ud
NUT M20 - A4.....8ud
WASHER M20 - A4.....16ud
GASKET ANSI 6" 150 # EPDM.....1ud
3 UNITS

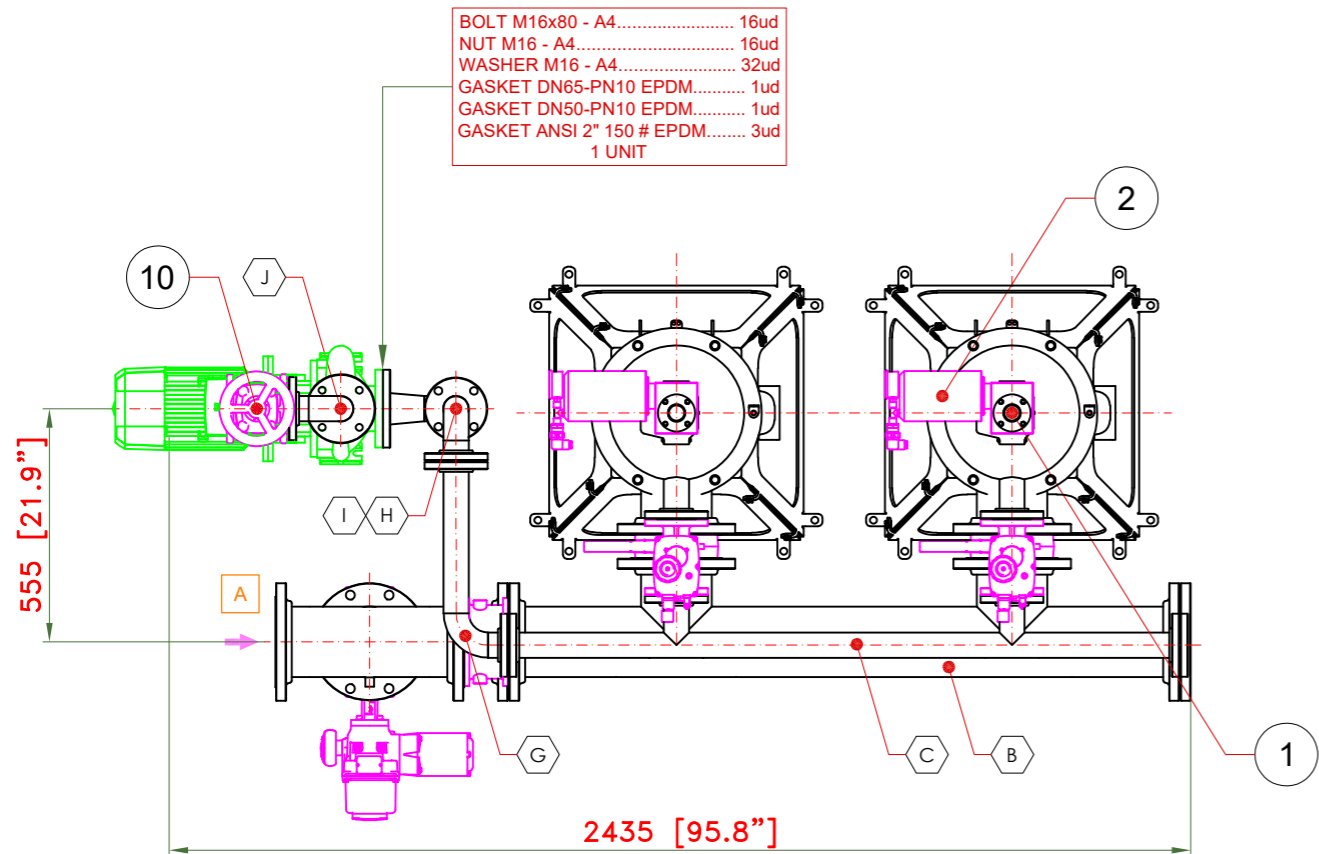


BOLT UNC 3/4" x 50 - A4.....16ud
WASHER UNC 3/4"- A4.....16ud
5 UNITS



ITEM	LINE	CONNEXION
A	RAW WATER INLET	6" 150# ANSI
B	FILTERED WATER OUTLET	6" 150# ANSI
C	BACKWASH OUTLET	2" 150# ANSI

BOLT M16x80 - A4.....16ud
NUT M16 - A4.....16ud
WASHER M16 - A4.....32ud
GASKET DN65-PN10 EPDM.....1ud
GASKET DN50-PN10 EPDM.....1ud
GASKET ANSI 2" 150 # EPDM.....3ud
1 UNIT



ITEM	DESIGNATION	QUANT.	MATERIAL	OBSERVATIONS
1	AUTOMATIC FILTER: FMA-1006-E WITH INLET / OULET NOZZLES 6"-150lbs	2	COATED STEEL	
2	ELECTRIC MOTOR	2	...	
3	CONTROL PANEL DIMENSIONS: 600 x 500 x 200	1	...	ON THE WALL
4	PUMP DN65 INLET / DN50 OULET	1	...	IF REQUIRED
5	LUG BUTTERFLY VALVE 6" - 150Lbs	2	IRON CAST AISI316L DISC	RAW WATER INLET
6	LUG BUTTERFLY VALVE 6" - 150Lbs	1	IRON CAST AISI316L DISC	BY-PASS
7	LUG BUTTERFLY VALVE 6" - 150Lbs	2	IRON CAST AISI316L DISC	FILTERED WATER OUTLET
8	BACKWASH BALL VALVE 2" - FLANGED	2	AISI316	BACKWASH OUTLET
9	WAFER CHECK VALVE 6" - 150 Lbs L = 106	1	AISI316	
10	GATE VALVE 2" - FLANGED	1	...	

REF.	ITEM	QUANTITY	MATERIAL	WEIGHT	OBSERVATIONS
***	2 OMICRON 5300 WITH MANIFOLDS	1	***	***	***
Rev.	Modification	Date	Name	Signed	CLIENT: OMICRON WATER TECHNOLOGIES
A	Fisrt edition	28/04/22	J.P.R.	<i>J.P.R.</i>	Scale: 1:18
B					REFERENCE: ***
C					Format: A3
D					DESCRIPTION: 2 OMICRON 5300(V)
E					WORK ORDER 74345
F					N° DRAWING 22.74345.00.00

Date: 24/04/22
Name: J.P.R.
Signed: *J.P.R.*

Date: 24/04/22
Name: J.P.R.
Signed: *J.P.R.*

Date: 24/04/22
Name: J.P.R.
Signed: *J.P.R.*