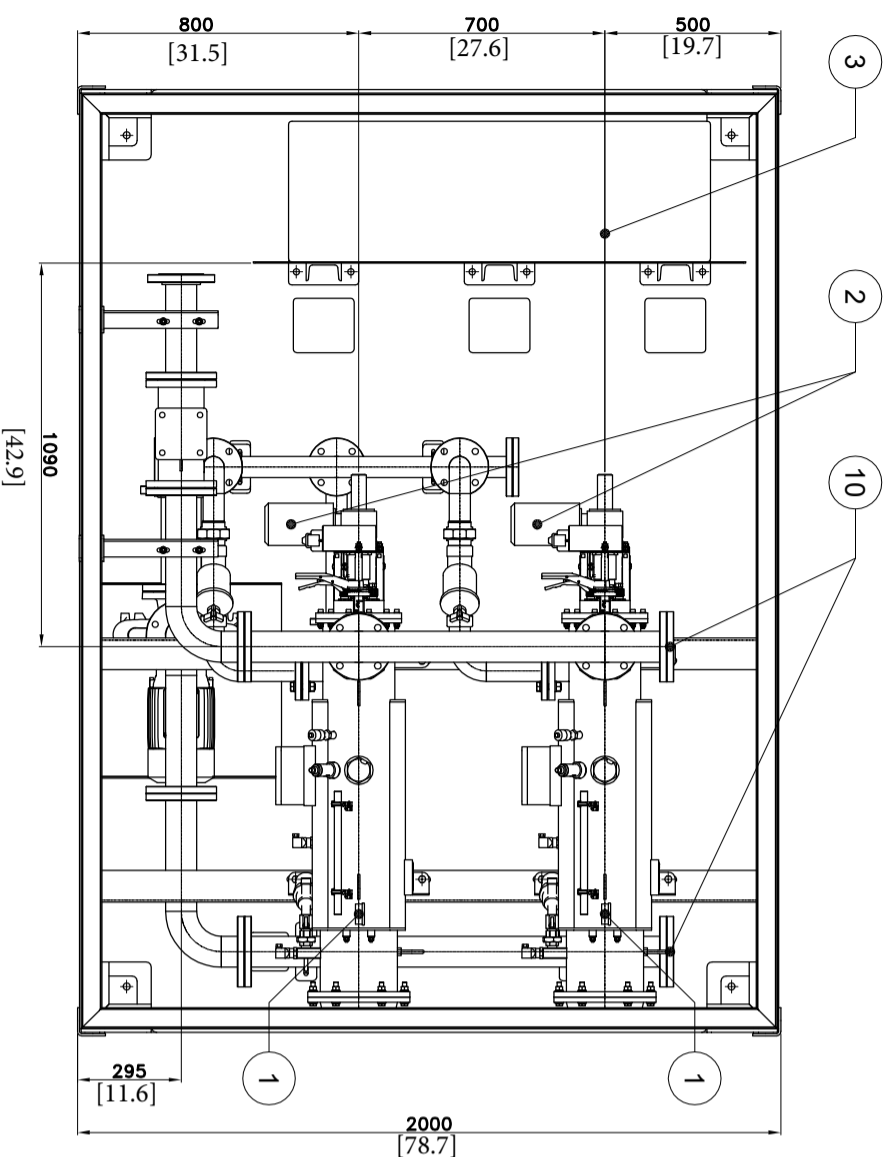


## OMICRON SEQUENCE TWIN 2900UV-CP (50 or 25 micron)

mm / [in]



**TWIN PARALLEL SKID:**  
With 50 micron screens, up to 220 GPM.  
With 25 micron screens, up to 120 GPM.



MARK	LINE	CONNECTION
A	RAW WATER INLET	3" 150# ANSI
B	FILTERED WATER OUTLET	3" 150# ANSI
C	BACKWASH OUTLET	2" 150# ANSI

ITEM	DESIGNATION	QTY	MATERIAL	OBSERVATIONS
1	UV AUTOMATIC FILTER-FMA-7003 UV WITH INLET / OULET NOZZLES 3"-150lbs	2	AISI-304L	
2	ELECTRIC MOTOR	2	***	
3	CONTROL PANEL DIMENSIONS: 55.1 x 47.2 x 15.7" / 1400 x 1200 x 400 mm	1	***	
4	BACKWASH VALVE DN50 THREADED	2	PLASTIC	BACKWASH OUTLET
5	PUMP (DIN CONNECTION) DN100 INLET / DN80 OULET	1	***	RAW WATER INLET
6	BUTTERFLY VALVE 3" - 150LBS	2	IRON CAST	RAW WATER INLET
7	BUTTERFLY VALVE 3" - 150LBS	2	IRON CAST	FILTERED WATER OUTLET
8	SUSTAINING VALVE DN80 FLANGE L = 310	1	IRON CAST	FILTERED WATER OUTLET
9	BLIND FLANGE DN50-PN10 DN 2576	2	AISI-304L	
10	BLIND FLANGE DN80-PN10 DN 2576	2	AISI-304L	
11	SKID	1	S-275-JR	

NO.	ITEM	QUANTITY	MATERIAL	OBSERVATIONS
***	2 FMA-7003 UV WITH MANIFOLD	1	STAINLESS STEEL	***

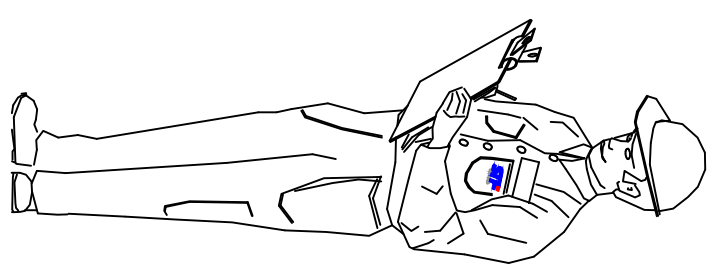
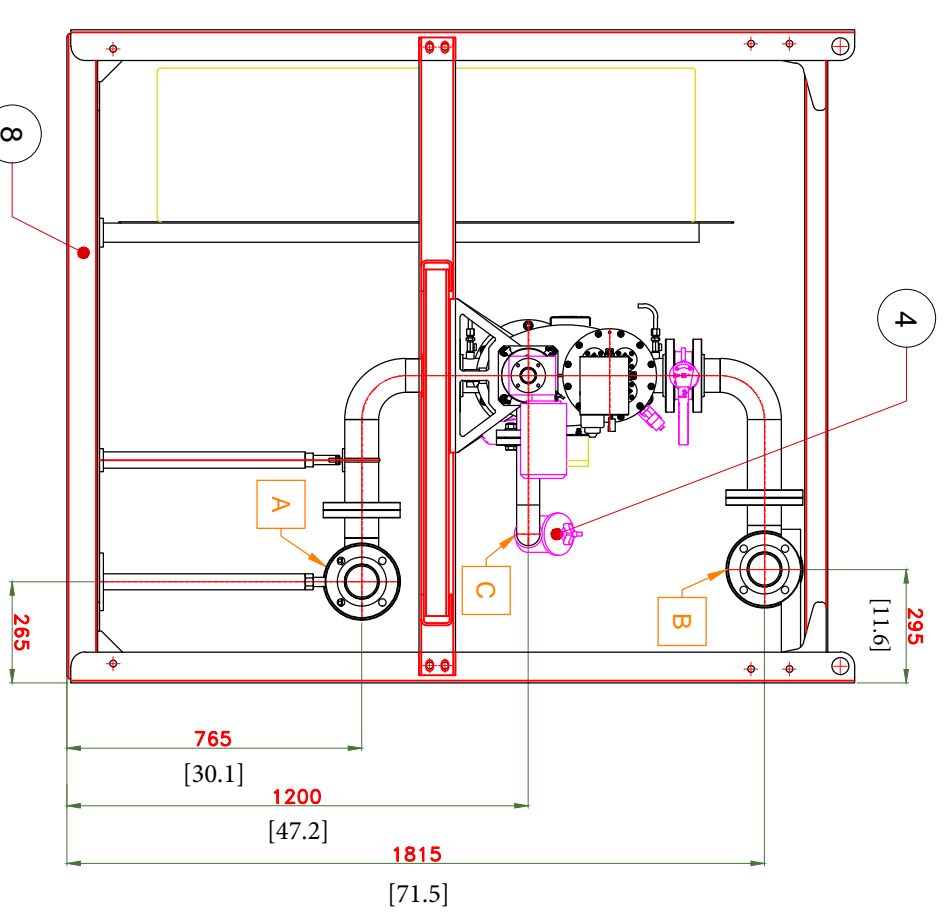
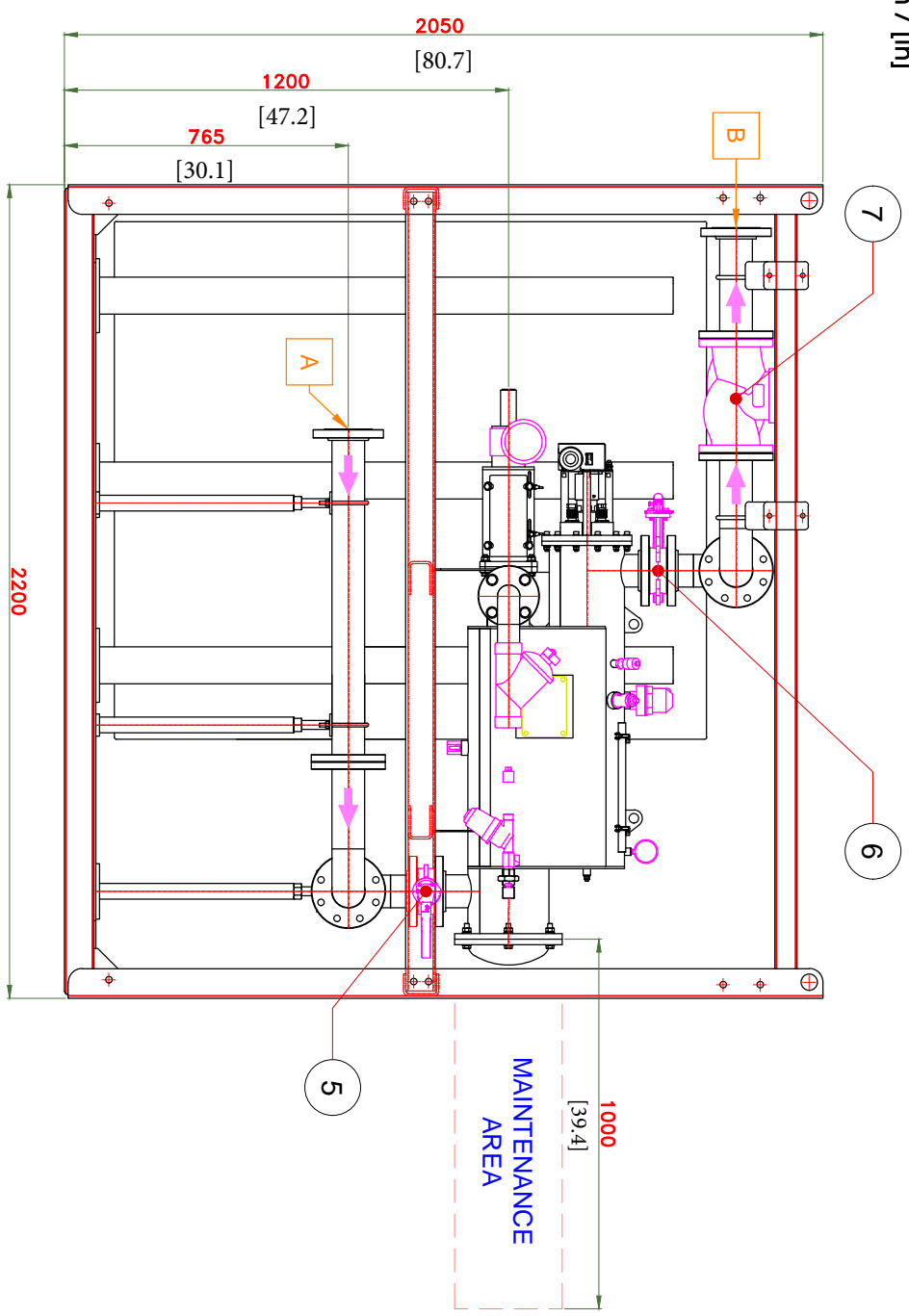
  

NO.	Modification	Date	Name	Sign.	CLIENT	SCALE	DATE	SIGNED
1	First edition	18/10/17	J.P.R.		OMICRON WATER TECHNOLOGIES	1:1	18/10/17	J.P.R.
2	Maintenance area	02/02/17	J.P.R.		REFERENCE *****	A3	02/02/18	J.P.R.
3					DESCRIPTION *****			
4								
5					Work Order N° Drawing			
6					17.xxxx.00.00	Projection		Approved



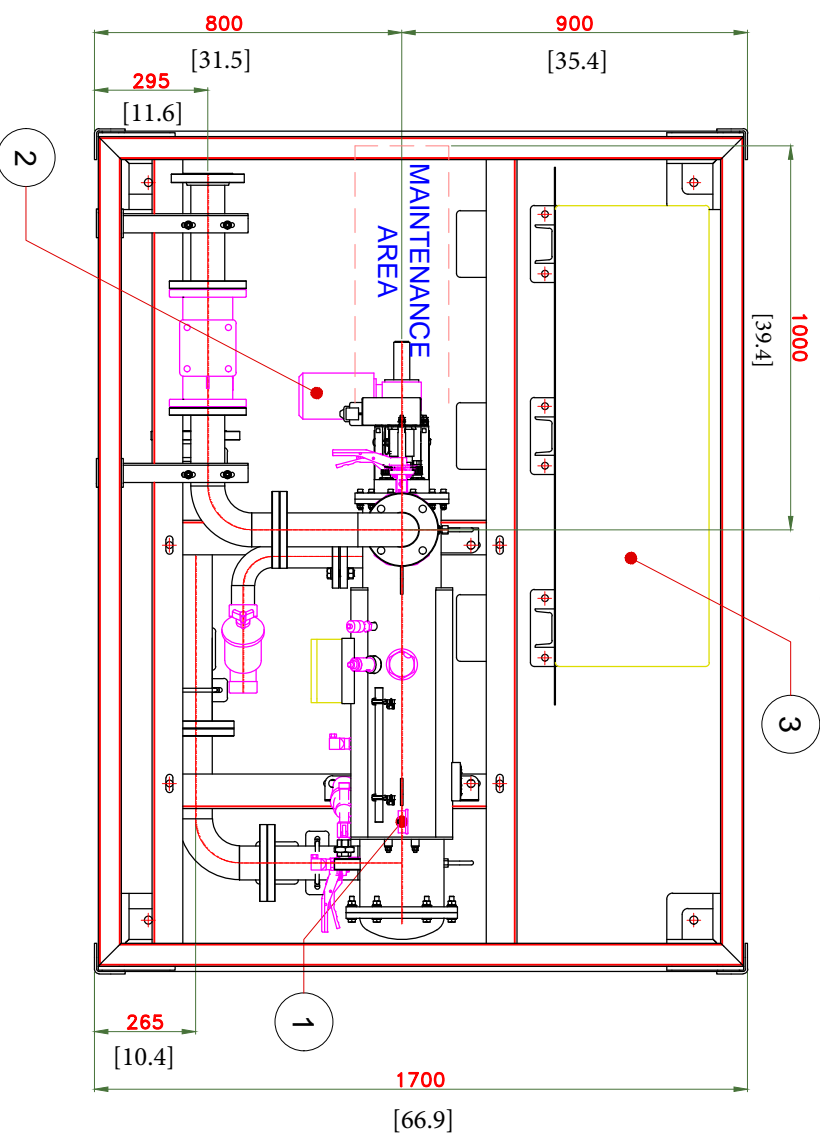
Polig Industrial Armatoria  
MONZON (Huesca)

mm / [in.]



## OMICRON SEQUENCE 2900UV SINGLE SKID (no pump)

Allow min 48" clearance panel door opening.



MARK	LINE	CONNECTION
A	RAW WATER INLET	3" 150# ANSI
B	FILTERED WATER OUTLET	3" 150# ANSI
C	BACKWASH OUTLET	2" THREAD

ITEM	DESIGNATION	QTY	MATERIAL	OBSERVATIONS
1	UV AUTOMATIC FILTER- FMA-7003 UV WITH INLET / OULET NOZZLES 3"-150lbs	1	ANSI-304L	
2	ELECTRIC MOTOR	1	...	
3	CONTROL PANEL 55.1" x 47.2" x 15.7"	1	...	
4	BACKWASH VALVE DN50 THREADED	1	PLASTIC	BACKWASH OUTLET
5	BUTTERFLY VALVE 3" - 150LBS	1	IRON CAST	RAW WATER INLET
6	BUTTERFLY VALVE 3" - 150LBS	1	IRON CAST	FILTERED WATER OUTLET
7	SUSTAINING VALVE DN80 FLANGE L = 310	1	IRON CAST	FILTERED WATER OUTLET
8	SKID	1	S-275-JR	

NO.	ITEM	QUANTITY	MATERIAL	OBSERVATIONS
...	SINGLE 2900UV WITH MANIFOLD	1	STAINLESS STEEL	...

NO.	Modification	Date	Name	Sign.	CLIENT	SCALE	OBSERVATIONS
1	First edition	26/02/18	J.P.R.		OMICRON WATER TECHNOLOGIES	1:1	
2					REFERENCE *****	A3	
3							
4							
5							
6							

DESCRIPTION	Work Order	N° Drawing	Projection	Date	Name	Signed
OMICRON 2900 UV SKID	xxxxx	18.xxxxx.00.00		26/02/18	J.P.R.	
				27/02/18	J.P.R.	

